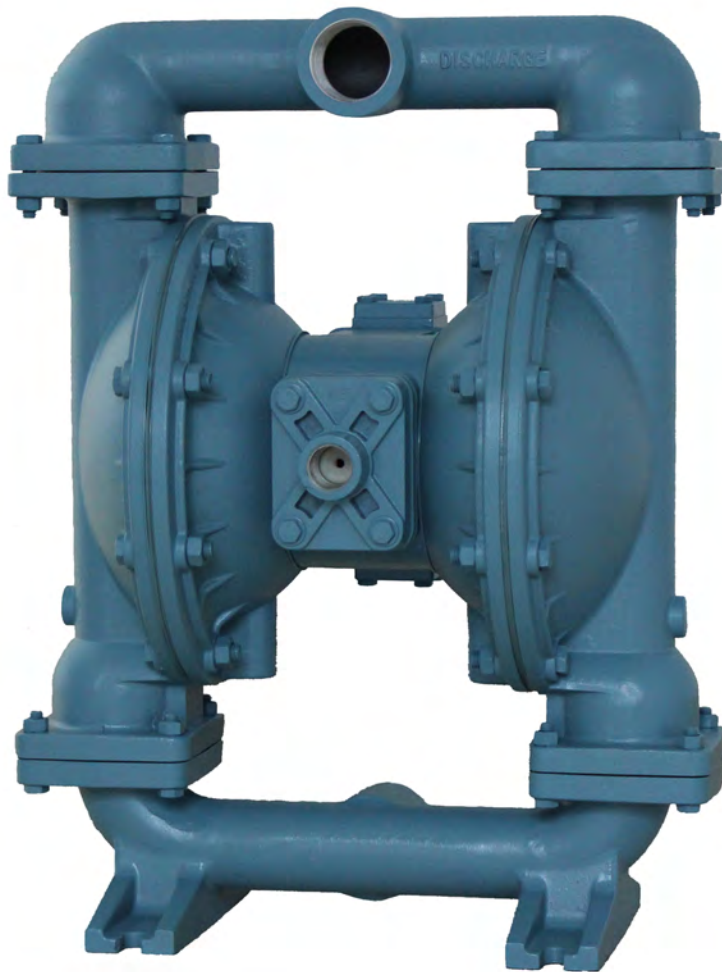




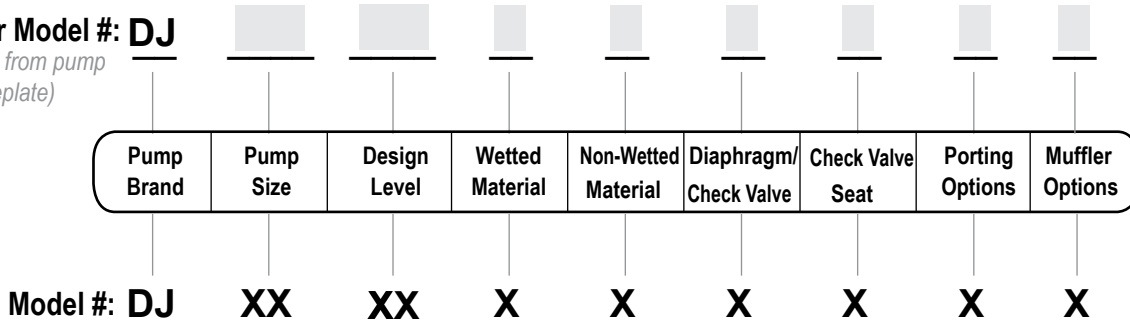
MODEL: DJ 15 Metallic

Assembly, Installation and Operation Manual



Explanation of Pump Nomenclature

Your Model #: **DJ**
 (fill in from pump nameplate)



Pump Brand
 DJ DJ Pump®

- Pump Size**
- 02 0.25"
 - 05 0.5"
 - 07 0.75"
 - 10 1"
 - 15 1.5"
 - 20 2"
 - 30 3"

- Design Level**
- 01 Design Level

- Wetted Material**
- A Aluminum
 - S Stainless Steel
 - I Cast Iron
 - P PP
 - K PVDF

- Non-Wetted Material Options**
- A Aluminum
 - S Stainless Steel
 - P PP

Diaphragm/Check Valve Materials

- 1 Santoprene/Santoprene
- 2 PTFE-Santoprene/PTFE
- 5 Nitrile/PTFE
- B Buna-N/Buna-N
- C Viton/PTFE
- E EPDM/EPDM
- G PTFE-Neoprene/PTFE
- H Neoprene,Buna-N,Viton/Heavy duty ball
- I EPDM/Santoprene
- N Neoprene/Neoprene
- O TPO/TPO
- T PTFE-Nitrile/PTFE

Check Valve Seat

- 1 Santoprene
- A Aluminum
- B Buna-N
- E EPDM
- N Neoprene
- S Stainless Steel
- T PTFE
- W UHMW
- P PP
- K PVDF
- V FKM

Porting Options

- N NPT Threads
- B BSP (Tapered) Threads
- A ANSI Flange
- D DIN Flange
- U Universal Flange (Fits ANSI and DIN)

Muffler Options

- 0 None
- 6 Metal Muffler

Record the model number and serial number below for future reference. This is important information when ordering replacement parts or when technical assistance is required.

Your Pump Model #: _____

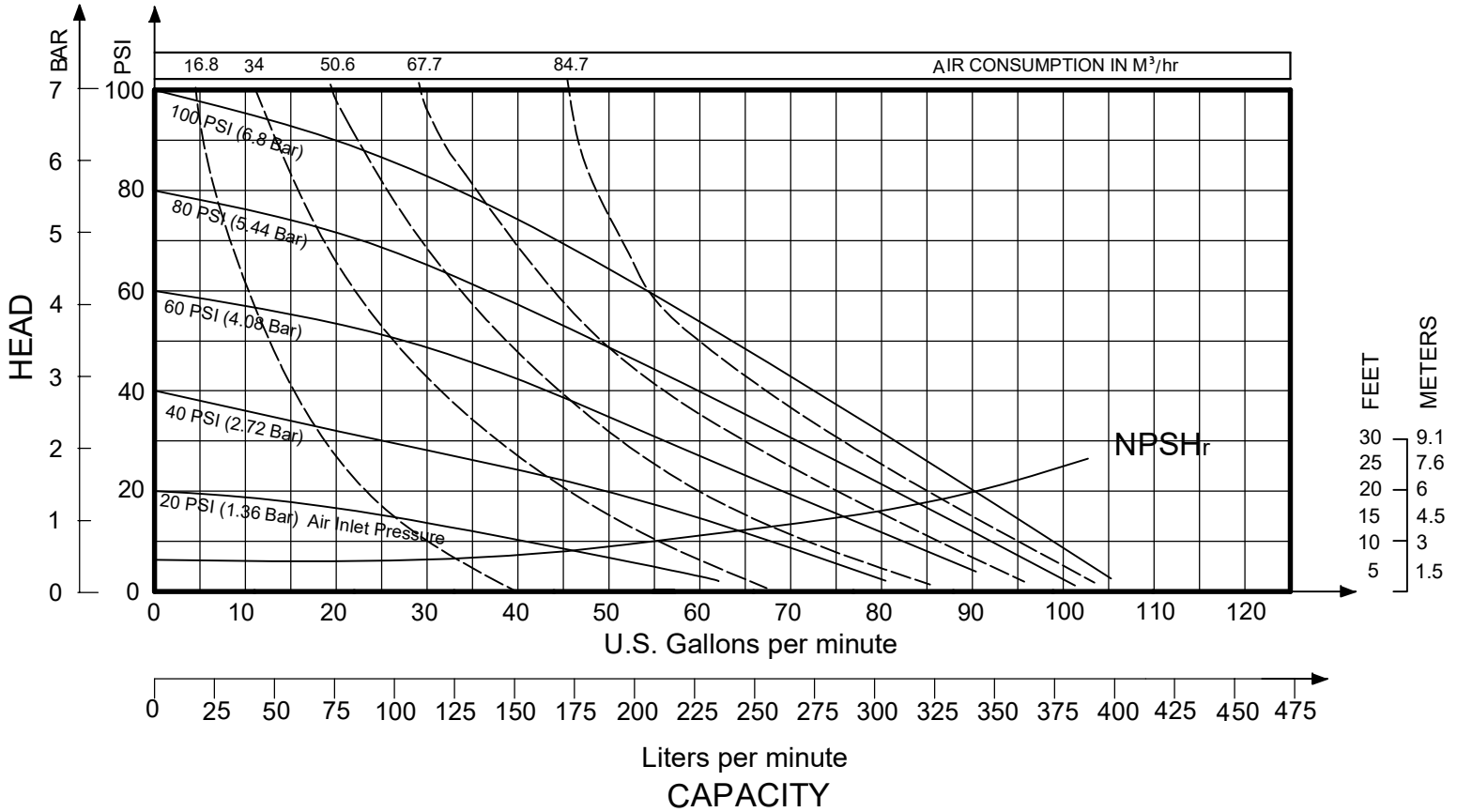
Your Serial #: _____



Performance

DJ 15 METALLIC

MODEL DJ 15 Metallic Performance Curve



SUCTION/DISCHARGE PORT SIZE

- 1½" NPT (internal)
- 1½" BSP Tapered (internal)
- 1½" ANSI 150# Raised Face Flanges

HEADS UP TO

- 125 psi or 289 ft. of water
(8.6 Kg/cm² or 86 meters)

CAPACITY

- 0 to 107 gallons per minute
(0 to 405 liters per minute)

DISPLACEMENT/STROKE

- .41 Gallon / 1.55 liter

AIR DISTRIBUTION VALVE

- No-lube, no-stall design

MAX OPERATING PRESSURE

- 125 psi (8.6 bar)

SOLIDS-HANDLING

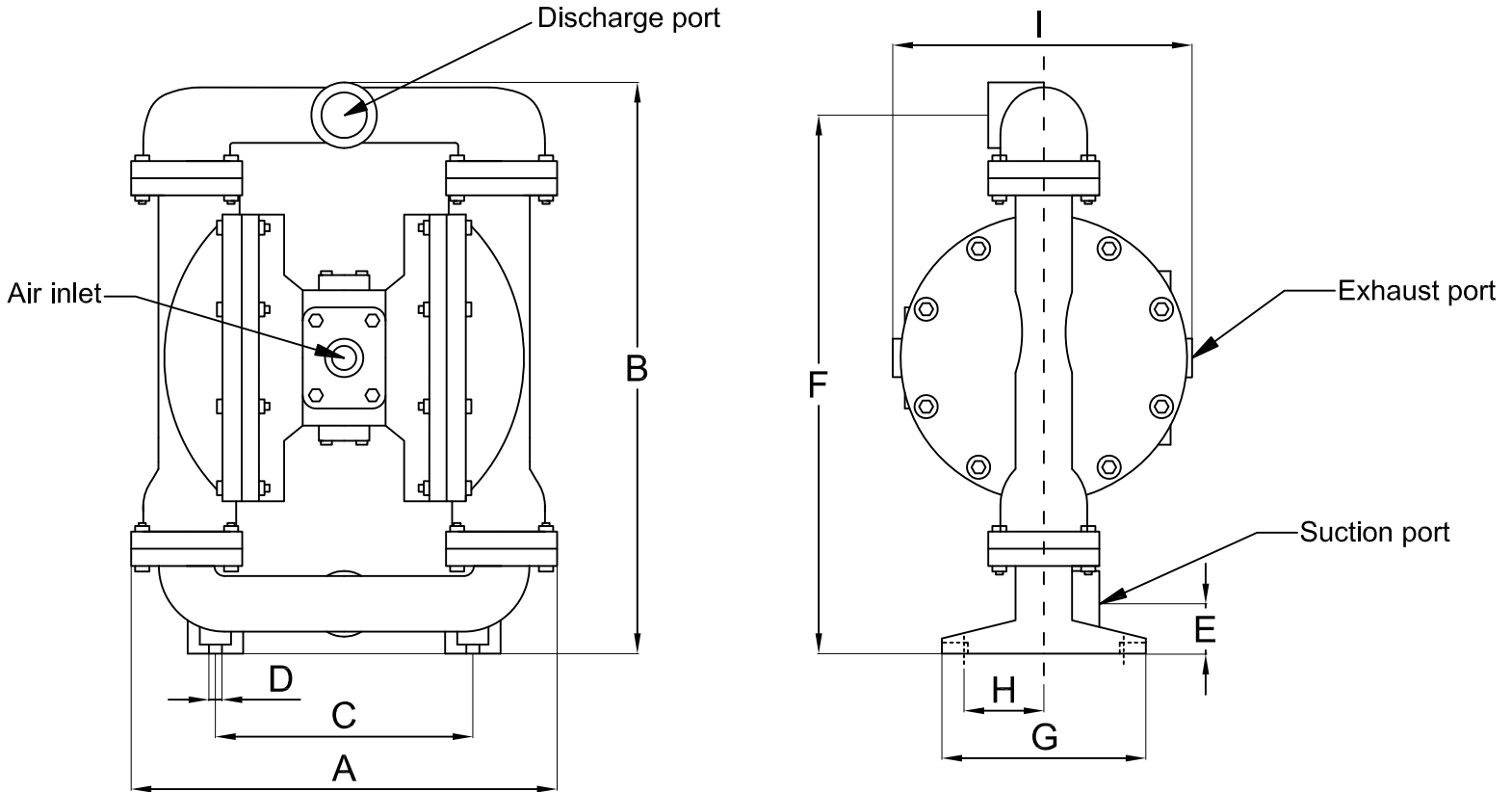
- Up to .25 in. (6mm)

SHIPPING WEIGHT

- Aluminum 60.4 lbs. (27.4kg)
- Cast Iron 105.8 lbs. (48kg)
- Stainless Steel 103.6 lbs. (47kg)



Dimensional Drawings for DJ15 Metallic Pumps

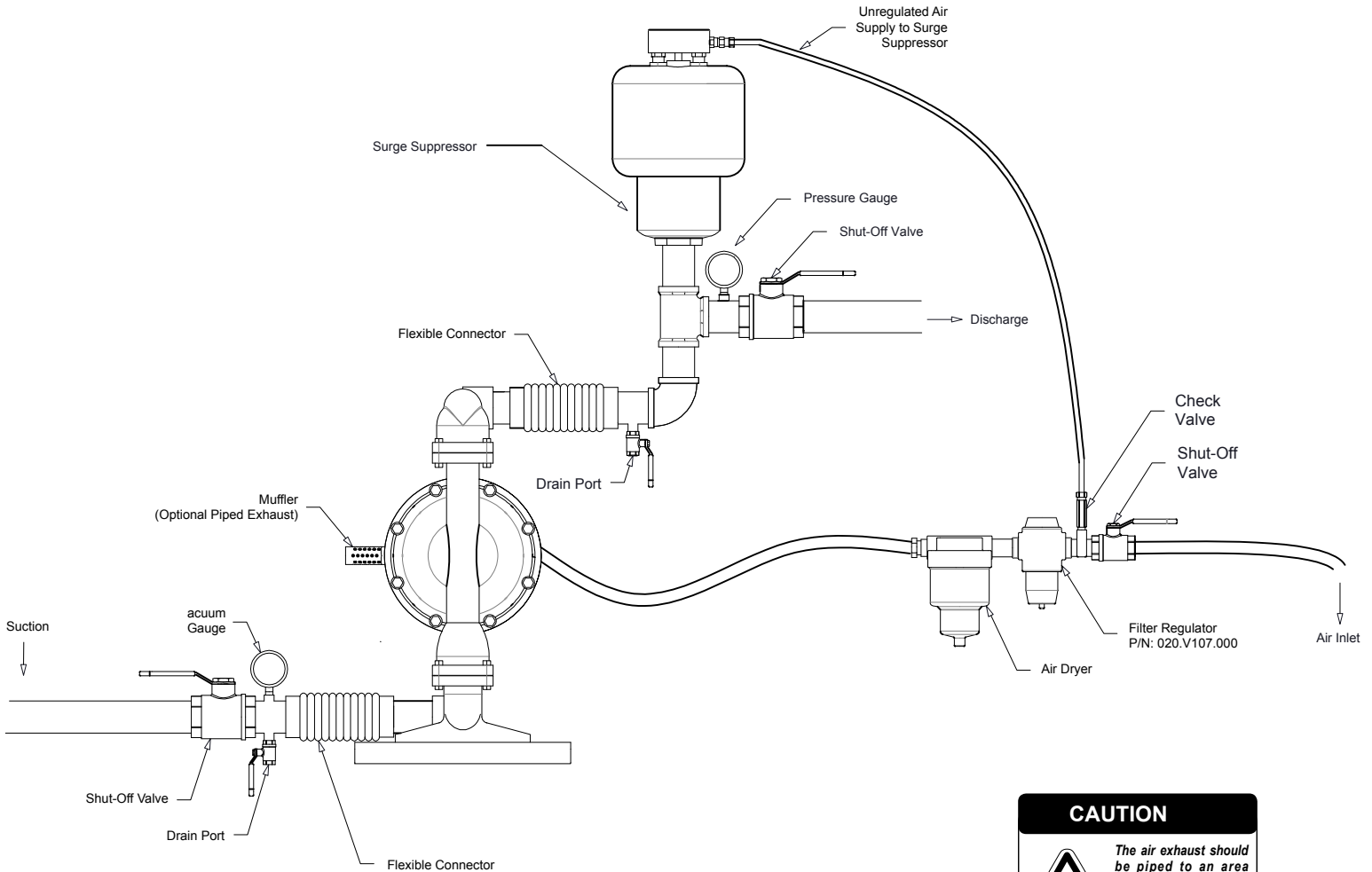


Dimension Tolerance :±5mm or ±0.2"

Pump Model	Port Size	Air Inlet Size	Exhaust Port Size	I mm/inches										Weight (kg)
				A	B	C	D	E	F	G	H	standard muffler	metal muffler	
				mm inches	mm inches	mm inches	mm inches	mm inches	mm inches	mm inches	mm inches	mm inches		
DJ15M	1.5"NPT/BSP	3/4"NPT	1"NPT	423 16.7"	559 22"	251 9.9"	13 0.5"	54 2.1"	526 20.7"	203 8"	89 3.5"	314 12.4"	368 14.5"	AL:27.4 Cl:48 SS:47



Recommended Installation Guide



CAUTION

The air exhaust should be piped to an area for safe disposition of the product being pumped, in the event of a diaphragm failure.

Installation And Start-Up

Locate the pump as close to the product being pumped as possible. Keep the suction line length and number of fittings to a minimum. Do not reduce the suction line diameter.

Air Supply

Connect the pump air inlet to an air supply with sufficient capacity and pressure to achieve desired performance. A pressure regulating valve should be installed to insure air supply pressure does not exceed recommended limits.

Air Valve Lubrication

The air distribution system is designed to operate WITHOUT lubrication. This is the standard mode of operation. If lubrication is desired, install an air line lubricator set to deliver one drop of SAE 10 non-detergent oil for every 20 SCFM (9.4 liters/sec.) of air the pump consumes. Consult the Performance Curve to determine air consumption.

Air Line Moisture

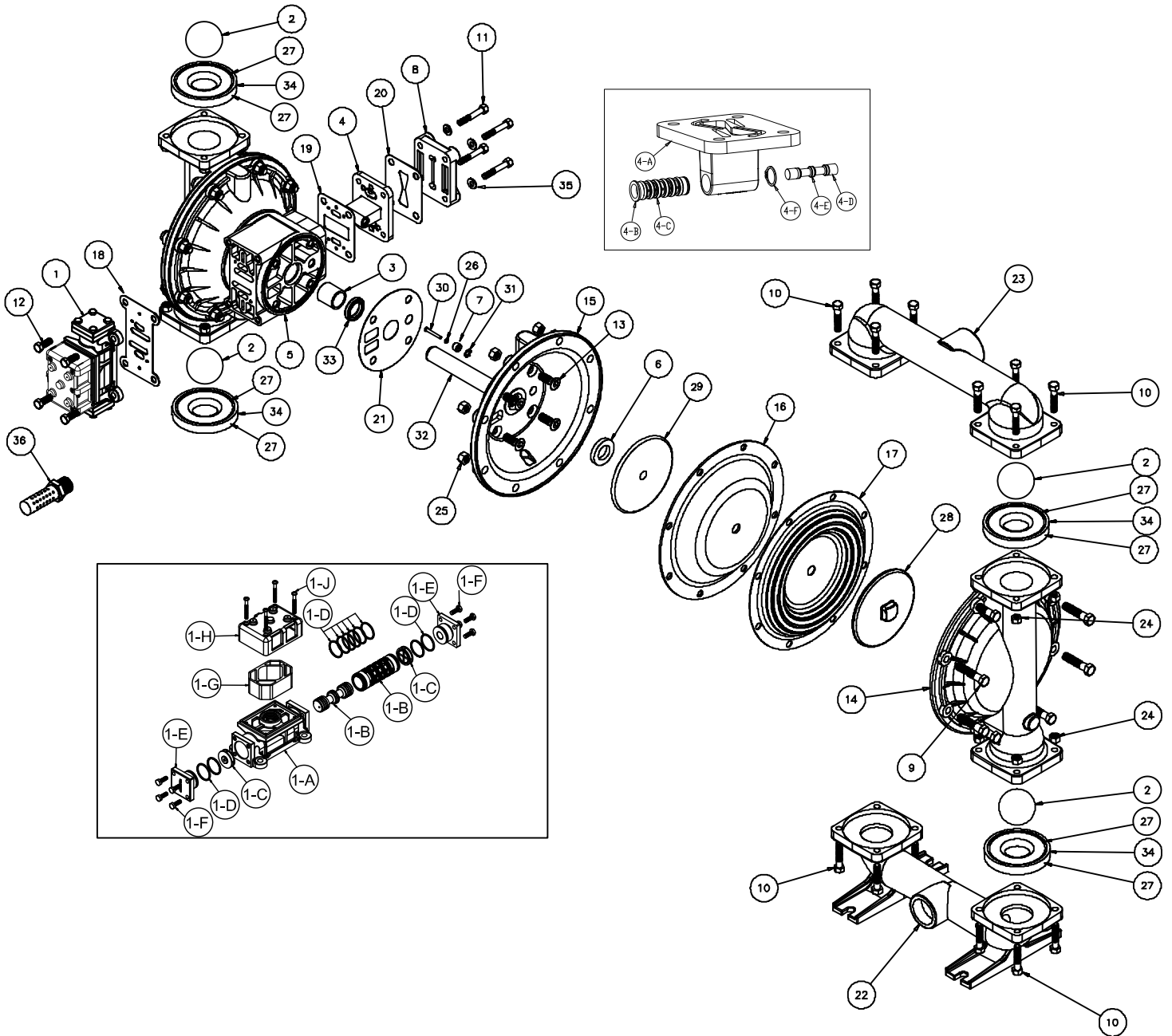
Water in the compressed air supply may cause icing or freezing of the exhaust air, causing the pump to cycle erratically or stop operating. Water in the air supply can be reduced by using a point-of-use air dryer.

Air Inlet And Priming

To start the pump, slightly open the air shut-off valve. After the pump primes, the air valve can be opened to increase air flow as desired. If opening the valve increases cycling rate, but does not increase the rate of flow, cavitation has occurred. The valve should be closed slightly to obtain the most efficient air flow to pump flow ratio.



EXPLODED VIEWS FOR DJ15 METALLIC PUMPS



DJ15 Metallic Pump Parts List

S/N	Item	Part Number	Description	Qty	Mtl
1	1	DJ031.173.000	Air Valve Assembly	1	Aluminum
2	1-A	DJ095.109.157	Body,Air Valve	1	Aluminum
3	1-B	DJ031.139.000	Sleeve and Spool Set	1	Aluminum
4	1-C	DJ132.029.357	Bumper	2	Polyurethane
5	1-D	DJ560.020.360	O-Ring	10	Nitrile
6	1-E	DJ165.127.157	Cap,End	2	Aluminum
7	1-F	DJ170.032.330	Hex Head Capscrew,1/4-20*0.75	8	Zinc Plated Steel
8	1-G	DJ530.028.550	Muffler	1	PE
9	1-H	DJ165.096.551	Muffler Cap	1	Glass Filled PP
10	1-J	DJ706.026.330	Machine Screw	4	Zinc Plated Steel
11	2	DJ050.005.354	Ball,Check	4	Santoprene
12	2	DJ050.005.360	Ball,Check	4	Nitrile
13	2	DJ050.005.365	Ball,Check	4	Neoprene
14	2	DJ050.010.600	Ball,Check	4	PTFE
15	3	DJ070.006.170	Bushing	2	Bronze
16	4	DJ095.110.000	Pilot Valve Assembly	1	Aluminum
17	4-A	DJ095.095.157	Valve Body	1	Aluminum
18	4-B	DJ755.052.000	Sleeve(With O-Rings)	1	Aluminum
19	4-C	DJ560.033.360	O-Ring(Sleeve)	6	Nitrile
20	4-D	DJ775.055.000	Spool(With O-Rings)	1	Stainless Steel
21	4-E	DJ560.023.360	O-Ring(Spool)	3	Nitrile
22	4-F	DJ675.037.080	Retaining Ring	1	Carbon Steel
23	5	DJ114.024.157	Intermediate Bracket	1	Aluminum
24	6	DJ132.035.360	Bumper,Diaphragm	2	Nitrile
25	7	DJ135.034.506	Bushing,Plunger	2	POM
26	8	DJ165.118.157	Cap,Air Inlet Assembly	1	Aluminum
27	9	DJ170.060.330	Capscrew,Hex HD 7/16-14*2.00	16	Zinc Plated Steel
28	10	DJ170.061.330	Capscrew,Hex HD 3/8-16*1.75	16	Zinc Plated Steel
29	11	DJ170.069.330	Capscrew,Hex HD 5/16-18*1.75	4	Zinc Plated Steel
30	12	DJ170.006.330	Capscrew,Hex HD 3/8-16*1.00	4	Zinc Plated Steel
31	13	DJ171.059.330	Capscrew,Soc HD 7/16-14*1.25	8	Zinc Plated Steel
32	14	DJ196.169.157	Chamber,Outer	2	Aluminum
33	14	DJ196.169.110	Chamber,Outer	2	Stainless Steel
34	14	DJ196.169.010	Chamber,Outer	2	Cast Iron
35	15	DJ196.170.157	Chamber,Inner	2	Aluminum
36	15	DJ196.170.110	Chamber,Inner	2	Stainless Steel
37	15	DJ196.170.010	Chamber,Inner	2	Cast Iron
38	16	DJ286.099.354	Diaphragm	2	Santoprene
39	16	DJ286.099.360	Diaphragm	2	Nitrile
40	16	DJ286.099.363	Diaphragm	2	FKM
41	16	DJ286.099.364	Diaphragm	2	EPDM
42	16	DJ286.099.365	Diaphragm	2	Neoprene
43	17	DJ286.099.600	Diaphragm,Overlay	2	PTFE
44	18	DJ360.093.360	Gasket,Air Valve	1	Nitrile



S/N	Item	Part Number	Description	Qty	Mtl
45	19	DJ360.114.360	Gasket,Pilot Valve	1	Nitrile
46	20	DJ360.104.379	Gasket,Air Inlet	1	Conductive Nitrile
47	21	DJ360.105.360	Gasket,Inner Chamber	2	Nitrile
48	22	DJ518.151.010	Manifold,Suction	1	Cast Iron
49	22	DJ518.151.010E	Manifold,Suction	1	Cast Iron
50	22	DJ518.151.110	Manifold,Suction	1	Stainless Steel
51	22	DJ518.151.110E	Manifold,Suction	1	Stainless Steel
52	22	DJ518.151.156	Manifold,Suction	1	Aluminum
53	22	DJ518.151.156E	Manifold,Suction	1	Aluminum
54	23	DJ518.152.010	Manifold,Discharge	1	Cast Iron
55	23	DJ518.152.010E	Manifold,Discharge	1	Cast Iron
56	23	DJ518.152.110	Manifold,Discharge	1	Stainless Steel
57	23	DJ518.152.110E	Manifold,Discharge	1	Stainless Steel
58	23	DJ518.152.156	Manifold,Discharge	1	Aluminum
59	23	DJ518.152.156E	Manifold,Discharge	1	Aluminum
60	24	DJ545.005.330	Nut,Hex 3/8-16	16	Zinc Plated Steel
61	25	DJ545.007.330	Nut,Hex 7/16-14	16	Zinc Plated Steel
62	26	DJ560.001.360	O-Ring	2	Nitrile
63	27	DJ720.061.608	Seal(O-Ring)(See item 34)	8	Conductive PTFE
64	28	DJ612.039.157	Plate,Outer Diaphragm Assembly	2	Aluminum
65	28	DJ612.039.010	Plate,Outer Diaphragm Assembly	2	Cast Iron
66	28	DJ612.097.110	Plate,Outer Diaphragm Assembly	2	Stainless Steel
67	29	DJ612.195.157	Plate,Inner Diaphragm	2	Aluminum
68	30	DJ620.020.115	Plunger,Actuator	2	Stainless Steel
69	31	DJ675.042.115	Ring,Retaining	2	Stainless Steel
70	32	DJ685.059.120	Rod,Diaphragm	1	Stainless Steel
71	33	DJ720.004.360	Seal,Diaphragm Rod	2	Nitrile
72	34	DJ722.091.110	Seat,Check Ball(Seals required see item 27)	4	Stainless Steel
73	34	DJ722.091.550	Seat,Check Ball	4	PE
74	34	DJ722.091.600	Seat,Check Ball	4	PTFE
75	35	DJ901.038.330	Washer,Flat 5/16	4	Zinc Plated Steel
76	36	DJ530.033.000	Metal Muffler	1	Carbon Steel

