

CRANE

Spare part list DEPA Air Operated Diaphragm Pumps M

Date: 14th Aug 2012

Type: DL15-FA/SA/SS

Drawing-No.: 03-1115-1001

Position Item	Description	Baugröße Size	Type	Stück No. Req.	Bestell-Nr. Order-No.
15.01	Air valve, internal	15-40	All	1	2501053--
15.01V	Air valve, internal, nickel plated	15-40	All	1	250105399
15.02	Center block, assy.	15	FA/SA	1	150304---
15.02V	Center block, assy., n. plated Air valve	15	FA/SA	1	150304-99
15.02S	Center block SS 304, assy.	15	SS	1	150303---
15.11	Rubber foot	15	SA/SS	4	151909-41
15.14A	Suction manifold, Alu	15	FA	1	151511-30
15.14S	Suction manifold, 316L	15	SA/SS	1	151510-35
15.14DZ	Suction elbow, 316L	15	DZ-FA/SA/SS	2	151555-35
15.15	Counter sunk screw	15	FA	4	900164491
15.15	Counter sunk screw, SS	15	SA/SS	4	900100911
15.19A	Pump chamber, Alu	15	FA	2	151505-30
15.19S	Pump chamber, 316L	15	SA/SS	2	151505-35
15.21A	Discharge manifold, Alu	15	FA	1	151512-30
15.21S	Discharge manifold, 316L	15	SA/SS	1	151512-35
15.21DZ	Discharge elbow, 316L	15	DZ-FA/SA/SS	2	151556-35
15.23	Counter sunk screw	15	FA	4	900161791
15.23	Counter sunk screw, SS	15	SA/SS	4	9000160711
15.24	Washer	15	FA	16	902000105
15.24	Washer, SS	15	SA/SS	20	902001311
15.25	Nut	15	FA	8	901000191
15.25S	Nut, SS	15	SA/SS	12	901000311
15.27A	Clamp band, assy.	15	All	2	150402---
15.30N	Diaphragm, NBR-el.cond.	15	All	2	151801-4B
15.30E	Diaphragm, EPDM	15	All	2	151801-42
15.30G	Diaphragm, EPDM-grey	15	All	2	151801-43
15.30F	Diaphragm, FKM	15	All	2	151801-44
15.30S	Diaphragm, Santoprene	15	All	2	151804-4C
15.30TR	Diaphragm, PTFE/Back up	15	All	2	150180165
15.30Z*	Diaphragm, PTFE DEPA E4, FDA, cond.	15	All	2	151801-89BG
15.30B	Diaphragm,NRS	15	All	2	151803-45
15.31N	Valve seat, NBR	15	All	4	151807-41
15.31E	Valve seat, EPDM	15	All	4	151807-42
15.31F	Valve seat, FKM	15	All	4	151807-44
15.31T	Valve seat, PTFE with FEP O-ring	15	All	4	150180760
15.31R	Valve seat, SS with 2 FEP O-rings	15	All	4	150180513
15.31B	Valve seat, NRS	15	All	4	151807-45
15.32T	Valve ball, PTFE	15	All	4	151810-62
15.32R	Valve ball, SS	15	All	4	151810-13
15.32K	Valve vall, cearamic	15	All	4	151810-95

CRANE

Spare part list DEPA Air Operated Diaphragm Pumps M

Date: 14th Aug 2012

Type: DL15-FA/SA/SS

Drawing-No.: 03-1115-1001

Position Item	Description	Baugröße Size	Type	Stück No. Req.	Bestell-Nr. Order-No.
15.45	Shaft, with seal + O-ring	15	All	1	150120710
15.46	Piston, inner	15	All	2	151208-50
15.47SL	Piston, outer	15	All	2	151213-13
15.50A	Center block, Alu	15	FA/SA	1	151203-30
15.50S	Center block, SS 304	15	SS	1	151210-35
15.51	Gasket-Center block cover	15	All	2	921100370
15.61T	O-ring FEP f. Valve seat PTFE	15	All	4	920201-79
15.61R	O-ring FEP f. Valve seat SS	15	All	8	920201-79
15.64	Shaft bearing	15	All	1	151206-64
15.65	O-ring, Shaft bearing	15	All	2	920015141
15.69	Center block cover	15	All	2	151302-11
15.70	Muffler, white	15	All	1	152020-48
15.77	Counter sunk screw/Center block cover	15	All	12	900310111

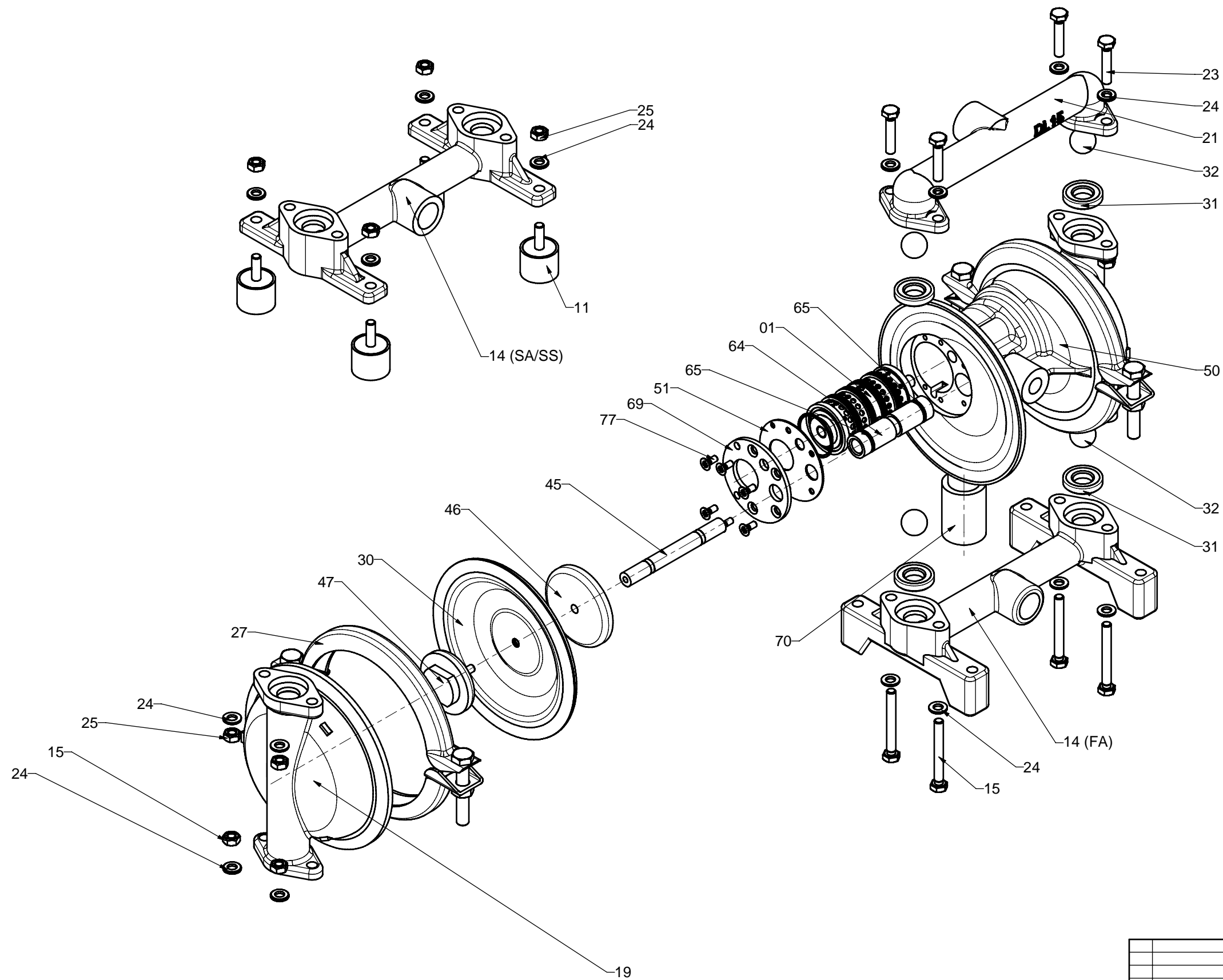
The complete spare part number results from the item and the order-no.

Example:

Diaphragm EPDM 40.30E,

order no. 151821-42

* with pos. 21.30Z not applicable Pos. 46 and 47



Allgemeintoleranz General Tolerance		Oberfläche Surface		Maßstab Scale		1:2		Urheber- und Mißbrauchschutz nach DIN 34 Copyright Protection According To DIN 34	
DIN ISO 2768-mH		DIN ISO 1302		±0.5		-0.3 +0.1		DIN 6 Methode 1	
Datum/Date		Name		Benennung / Description					
18.01.10		Prenten		DL15-FA/SA/SS					
Gepr./Check				Format		Zeichnungsnummer / Drawing - No.			Blatt/Sheet
				A2		1115-0024			1 von 1
Index	Änderungen/Change	Datum/Date	Name	Dateiname 11150024-DL15-FA/SA/SS.dwg Replacement For					